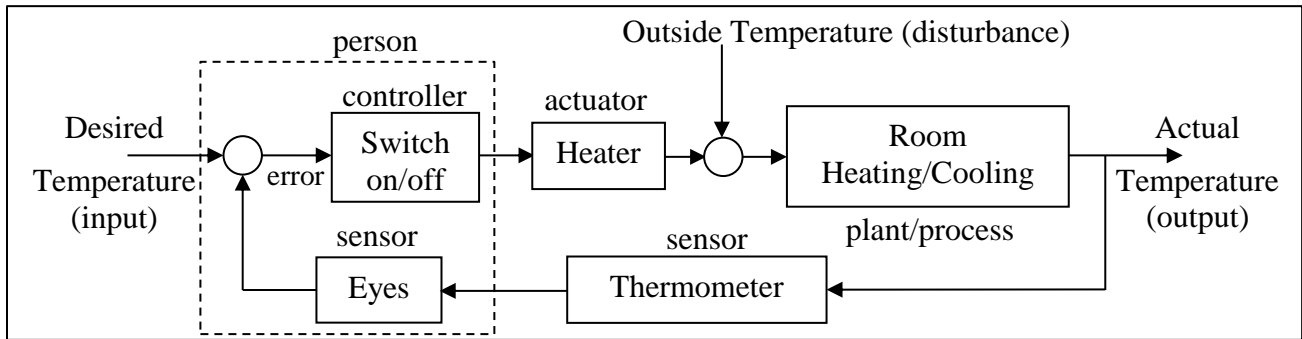


Introductory Control Systems

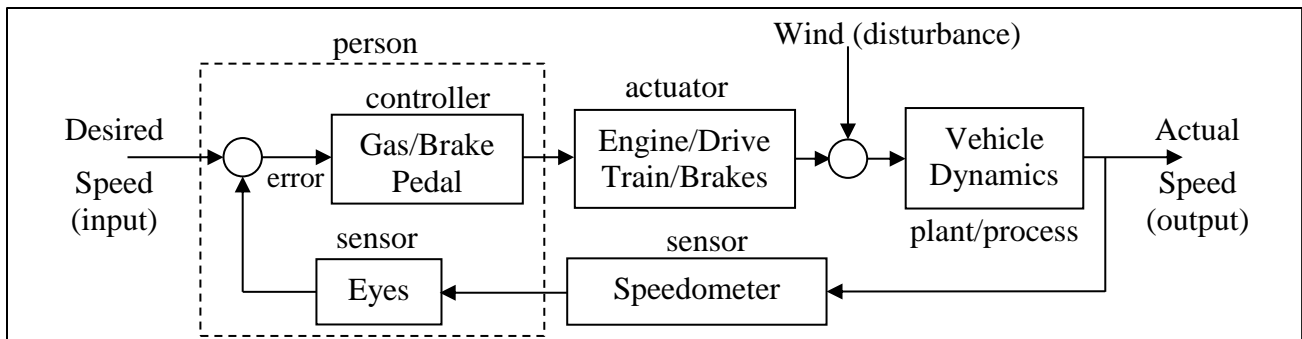
Exercises #1 – Conceptual Block Diagrams – Answers

Note: The circle in the block diagrams represents a comparison of the incoming signals. Often the comparison is the sum or difference of the signals.

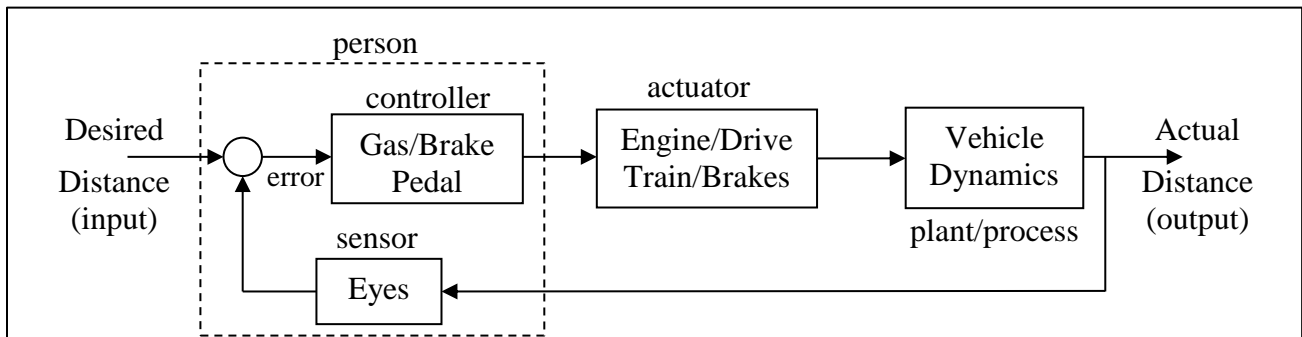
1.



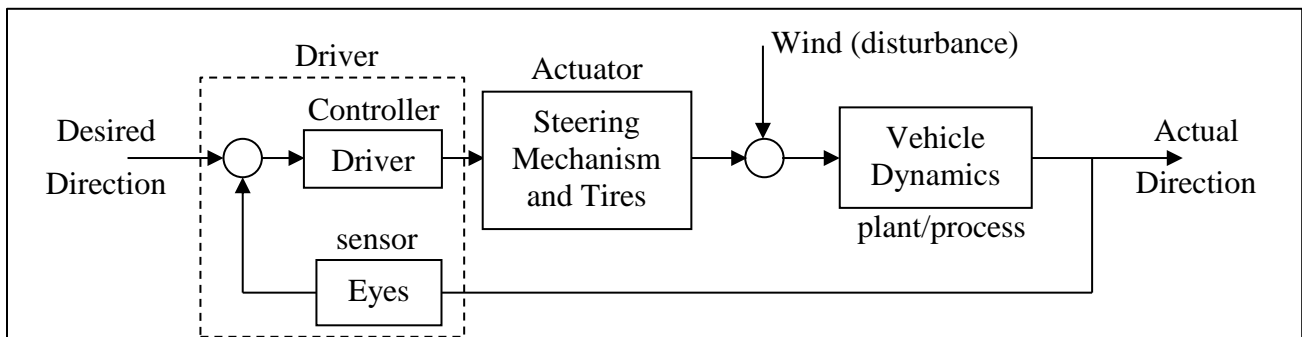
2.



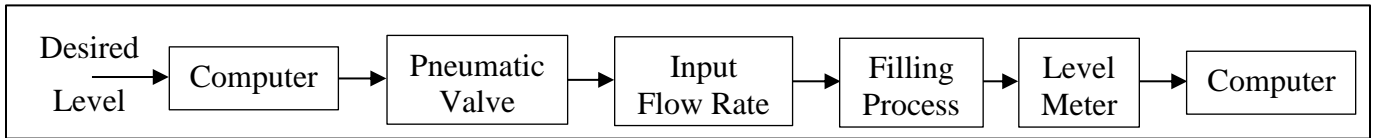
3.



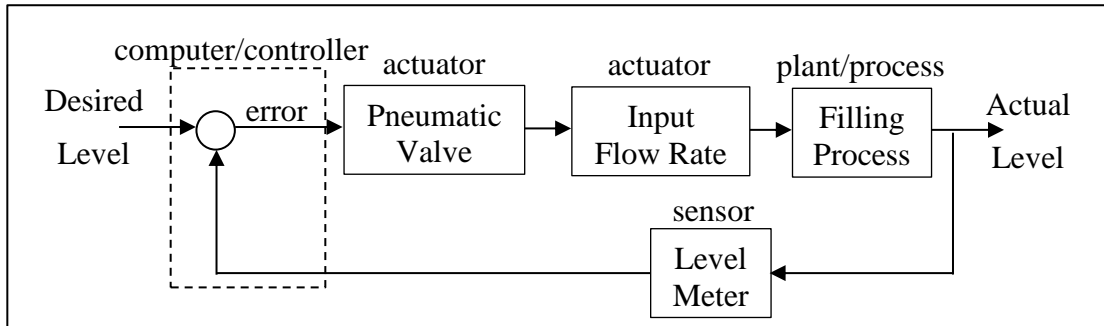
4.



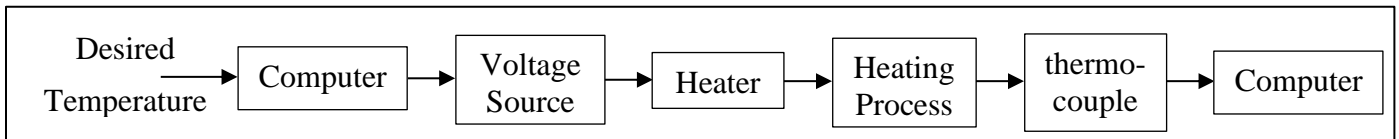
5. a) Open loop system



b) Closed loop system



6. a) Open loop system



b) Closed loop system

