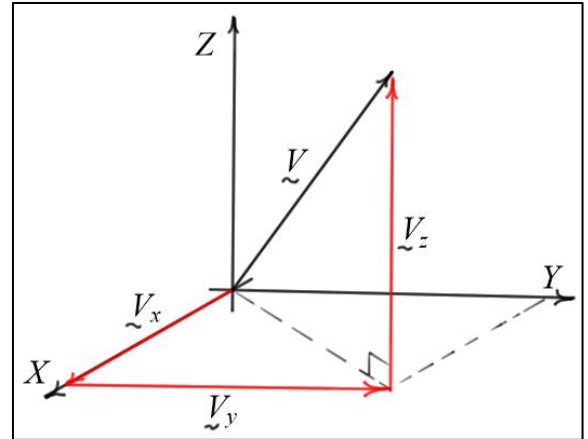


Elementary Statics

Vector Components and Vector Addition in Three Dimensions

Cartesian Components of Vectors (3D)

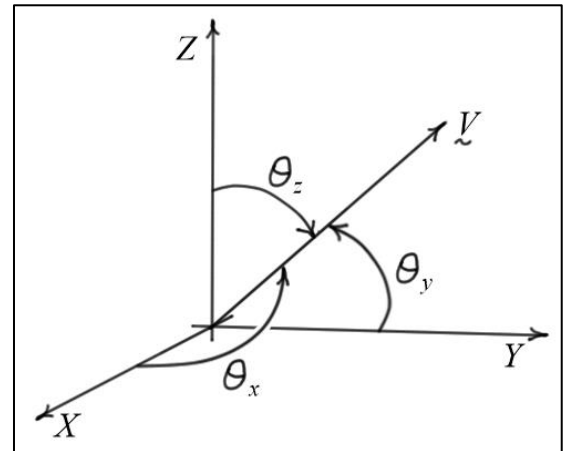
- Given the *magnitude* of a vector and the *direction* of the vector relative to a set of three *reference axes*, the vector can be expressed in terms of its *components* along those axes.
- For our convenience, it is beneficial to have the reference axes be a *right-handed, mutually perpendicular* set.



- V_x , V_y , and V_z represent the *components* of the vector V along the *right-handed, mutually perpendicular* X , Y , and Z axes. By vector addition, $V = V_x + V_y + V_z$

- The triangles formed by V and V_x , by V and V_y , and by V and V_z are all *right triangles*.
- If the *magnitude* of the vector V is $|V| = V$, and if the *angles* that V makes with the X , Y , and Z axes are θ_x , θ_y , and θ_z , respectively, then

$$\begin{aligned} V &= V_x + V_y + V_z = V_x \underline{i} + V_y \underline{j} + V_z \underline{k} \\ &= (V \cos(\theta_x)) \underline{i} + (V \cos(\theta_y)) \underline{j} + (V \cos(\theta_z)) \underline{k} \\ &= V (\cos(\theta_x) \underline{i} + \cos(\theta_y) \underline{j} + \cos(\theta_z) \underline{k}) \end{aligned}$$



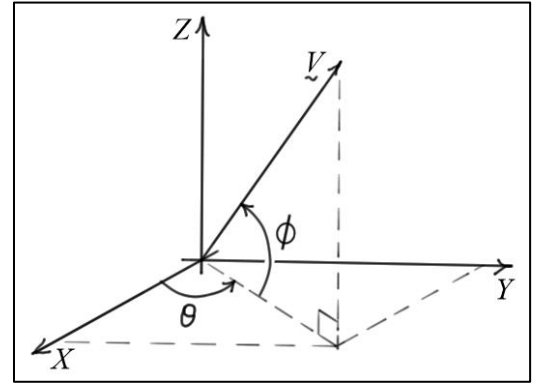
- The *unit vectors* \underline{i} , \underline{j} , and \underline{k} indicate the positive X , Y , and Z coordinate directions.
- The vector $\underline{u}_V = \cos(\theta_x) \underline{i} + \cos(\theta_y) \underline{j} + \cos(\theta_z) \underline{k}$ is a *unit vector* in the direction of V .
- The angles θ_x , θ_y , and θ_z are *not independent*. It can be shown that,

$$\cos^2(\theta_x) + \cos^2(\theta_y) + \cos^2(\theta_z) = 1$$

- The magnitude of V is $V = \sqrt{V_x^2 + V_y^2 + V_z^2}$

Cartesian Components – Polar and Elevation Angles

- The Cartesian components of a vector can also be given in terms of **polar** and **elevation** angles. Unlike the three angles relative to the X , Y , and Z axes, these two angles are **independent**.
- In the diagram, angle θ measured in the XY plane is the **polar angle**, and the angle ϕ is the **elevation angle**.



- In this case, the Cartesian components are found using a two-step process. First, break \underline{V} into **two components**, one in the XY plane and one perpendicular to it (along the Z axis). Then, break the component in the XY plane into two components, one along the X axis and one along the Y axis.

$$\begin{aligned}\underline{V} &= V \cos(\phi) (\cos(\theta) \underline{i} + \sin(\theta) \underline{j}) + V \sin(\phi) \underline{k} \\ &= V \cos(\phi) \cos(\theta) \underline{i} + V \cos(\phi) \sin(\theta) \underline{j} + V \sin(\phi) \underline{k} \\ &= V (\cos(\phi) \cos(\theta) \underline{i} + \cos(\phi) \sin(\theta) \underline{j} + \sin(\phi) \underline{k})\end{aligned}$$

Example #1:

Given: Force \underline{F} has magnitude $|\underline{F}| = 100$ (lb) and angles $\theta_x = 40$ (deg) and $\theta_y = 70$ (deg).

Find: Express the force \underline{F} in terms of the unit vectors \underline{i} , \underline{j} , and \underline{k} .

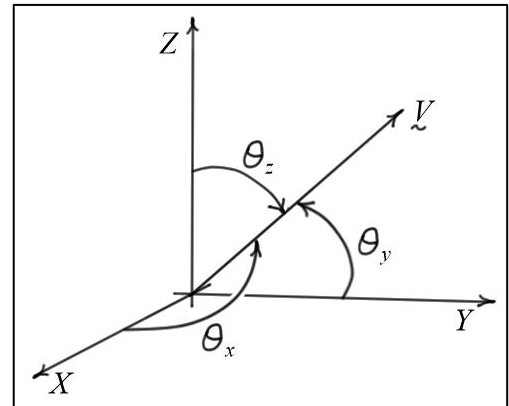
Solution:

We know that: $\cos^2(\theta_x) + \cos^2(\theta_y) + \cos^2(\theta_z) = 1$. So,

$$\begin{aligned}\theta_z &= \cos^{-1} \left(\sqrt{1 - \cos^2(\theta_x) - \cos^2(\theta_y)} \right) \\ &= \cos^{-1} \left(\sqrt{1 - \cos^2(40) - \cos^2(70)} \right) \approx 57.027 \approx 57.0 \text{ (deg)}\end{aligned}$$

$$\underline{F} = 100 \cos(40) \underline{i} + 100 \cos(70) \underline{j} + 100 \cos(57.027) \underline{k} \approx 76.6 \underline{i} + 34.2 \underline{j} + 54.4 \underline{k} \text{ (lb)}$$

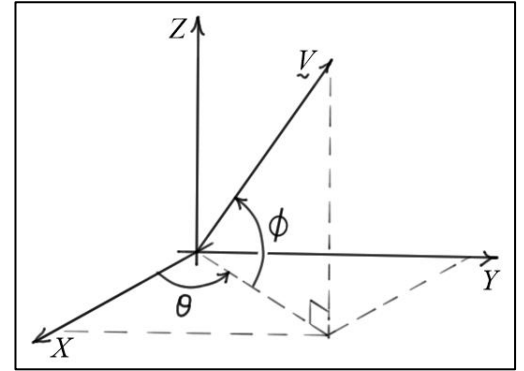
Check: $|\underline{F}| \approx \sqrt{76.6^2 + 34.2^2 + 54.4^2} \approx 99.9828 \approx 100$ (lb)



Example #2: (polar and elevation angles)

Given: Force \vec{F} has magnitude $|\vec{F}| = 100$ (lb) and angles $\theta = 24$ (deg) and $\phi = 33$ (deg).

Find: Express the force \vec{F} in terms of the unit vectors \vec{i} , \vec{j} , and \vec{k} .



Solution:

$$F_x = F \cos(\phi) \cos(\theta) = 100 \cos(33) \cos(24) \approx 76.6164 \approx 76.6 \text{ (lbs)}$$

$$F_y = F \cos(\phi) \sin(\theta) = 100 \cos(33) \sin(24) \approx 34.1118 \approx 34.1 \text{ (lbs)}$$

$$F_z = F \sin(\phi) = 100 \sin(33) \approx 54.4639 \approx 54.5 \text{ (lbs)}$$

$$\Rightarrow \boxed{\vec{F} \approx 76.6\vec{i} + 34.1\vec{j} + 54.5\vec{k}}$$

$$\text{Check: } \boxed{|\vec{F}| \approx \sqrt{76.6^2 + 34.1^2 + 54.5^2} \approx 100.003 \approx 100 \text{ (lb)}}$$

Example #3:

Given: A force $\vec{F} = 70\vec{i} + 50\vec{j} - 80\vec{k}$ (lb).

Find: The magnitude and direction of \vec{F} relative to the X, Y, and Z axes.

Solution:

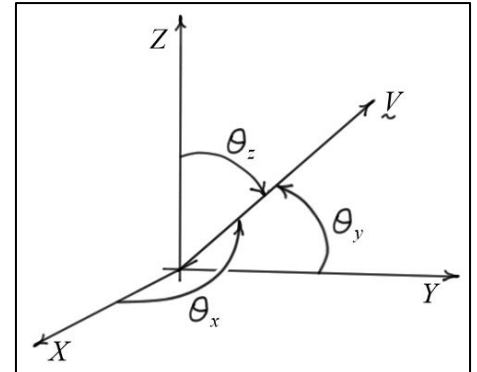
$$\boxed{|\vec{F}| = F = \sqrt{70^2 + 50^2 + 80^2} = 117.473 \approx 117 \text{ (lb)}}$$

$$\boxed{\theta_x = \cos^{-1}(F_x/F) \approx \cos^{-1}(70/117.473) \approx 53.425 \approx 53.4 \text{ (deg)}}$$

$$\boxed{\theta_y = \cos^{-1}(F_y/F) \approx \cos^{-1}(50/117.473) \approx 64.81 \approx 64.8 \text{ (deg)}}$$

$$\boxed{\theta_z = \cos^{-1}(F_z/F) \approx \cos^{-1}(-80/117.473) \approx 132.92 \approx 133 \text{ (deg)}}$$

$$\text{Check: } \boxed{\cos^2(53.43) + \cos^2(64.8) + \cos^2(132.9) \approx 0.9997 \approx 1}$$



Vector Addition using Cartesian Components (3D)

To *add two or more vectors*, simply express them in terms of the same unit vectors, and then add *like components*. As before, we call the sum of the vectors the *resultant*.

Example #4:

Given: $\vec{F}_1 = 100\vec{i} + 175\vec{j} + 200\vec{k}$ (lb)

$$\vec{F}_2 = -75\vec{i} + 25\vec{j} - 100\vec{k}$$
 (lb)

$$\vec{F}_3 = -120\vec{i} - 100\vec{j} - 300\vec{k}$$
 (lb)

Find: The magnitude and the direction of the resultant force \vec{F} .

Solution:

$$\vec{F} = (100 - 75 - 120)\vec{i} + (175 + 25 - 100)\vec{j} + (200 - 100 - 300)\vec{k}$$

$$\Rightarrow \boxed{\vec{F} = -95\vec{i} + 100\vec{j} - 200\vec{k} \text{ (lb)}}$$

$$\boxed{|\vec{F}| = F = \sqrt{95^2 + 100^2 + 200^2} \approx 242.951 \approx 243 \text{ (lb)}}$$

$$\boxed{\theta_x = \cos^{-1}(F_x/F) \approx \cos^{-1}(-95/242.951) \approx 113.018 \approx 113 \text{ (deg)}}$$

$$\boxed{\theta_y = \cos^{-1}(F_y/F) \approx \cos^{-1}(100/242.951) \approx 65.6942 \approx 65.7 \text{ (deg)}}$$

$$\boxed{\theta_z = \cos^{-1}(F_z/F) \approx \cos^{-1}(-200/242.951) \approx 145.408 \approx 145 \text{ (deg)}}$$

Check: $\boxed{\cos^2(113.018) + \cos^2(65.6942) + \cos^2(145.408) \approx 1}$

